

***Montagebeschrijving commode GROOVY 2014***  
***Instructions de montage commode GROOVY 2014***  
***Instructions dresser GROOVY 2014***

**27.06.2014**



Imported by:  
Mikael Falk  
Pachthofstraat 41  
B-3080 Tervuren

## BEFORE YOU START

Remove all parts from packaging and check against the parts list.

Do not discard any packaging until you are sure you have all parts and the pack of fittings.

## SAFETY INSTRUCTION

**Warning: Do not leave the child unattended**

Furniture can be dangerous if incorrectly installed. Assembly should be carried out by a competent person.

Periodically check all fixings to ensure none have come loose and that there is no risk of clothing or parts of the body becoming snagged or trapped.

Keep children clear during assembly as pack contains small parts which may present a choking hazard.

The wall must be checked for suitability during assembly to ensure that the fastening strap can withstand the forces generated. Appropriate wall fixings must be used.

Do not allow your child to climb on this furniture.

Be aware of the risks of open fires and other such sources of strong heat, such as electric bar fires, gas fires, etc in the vicinity of the dresser.

Suitable for children up to 11 kgs in weight.

Any additional or replacement parts shall only be obtained from the manufacturer or distributor.

Do not use this dresser if any part is broken, torn or missing.

Suitable for use with a changing mat size approximately 854 x 682mm

**Conforms to BS EN 12221-1&2:2008+A1:2013**

## CARE AND MAINTENANCE INSTRUCTIONS

Your furniture may be cleaned by wiping with a damp cloth and drying with a soft clean cloth.

Do not use abrasives, bleach, alcohol or ammonia-based household polishes.

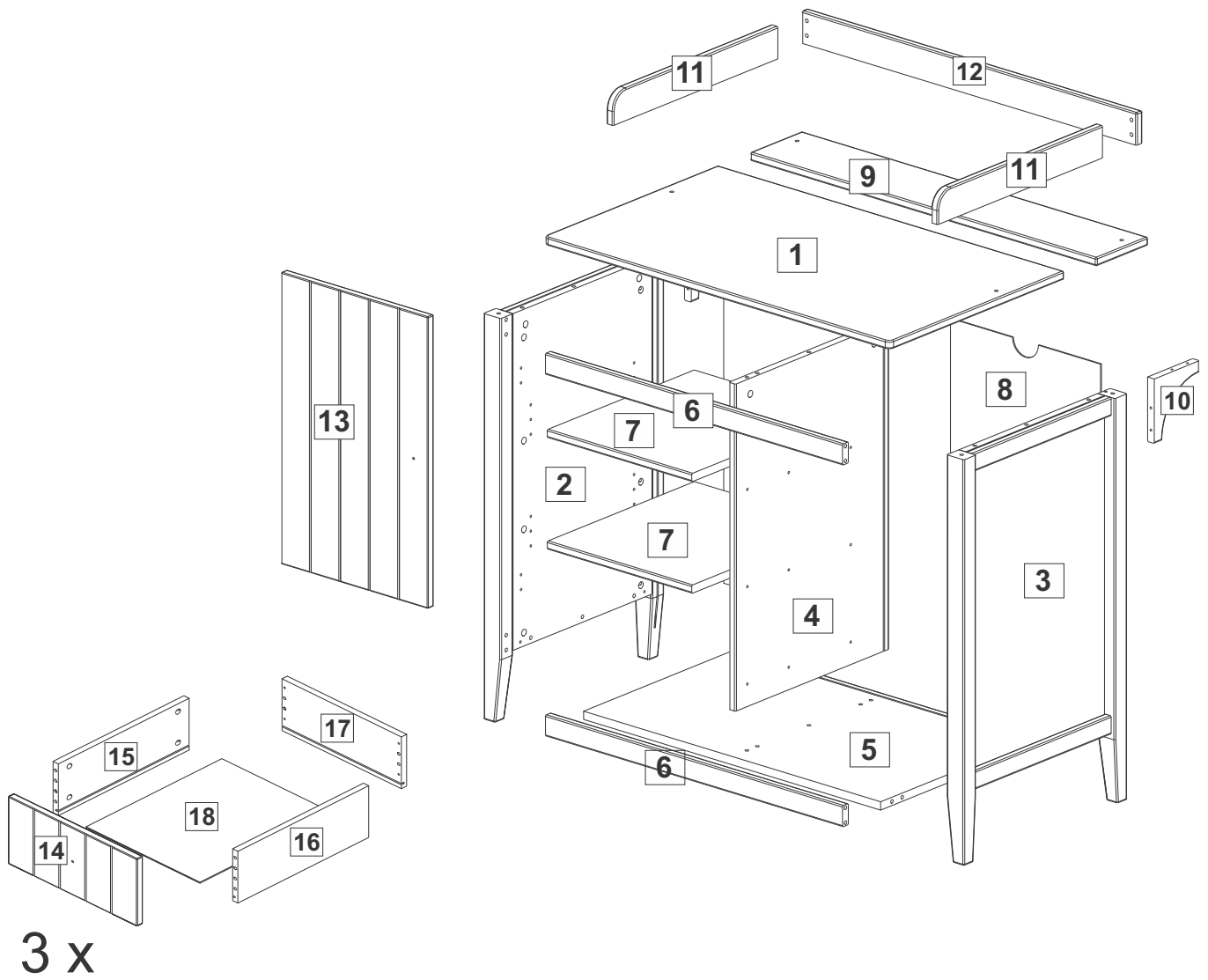
Take care when handling or moving the furniture. Careless handling may cause damage.

## CUSTOMER ENQUIRIES

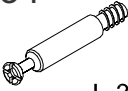

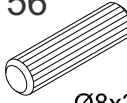
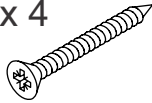
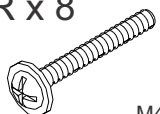
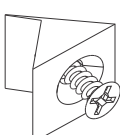
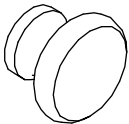
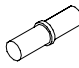
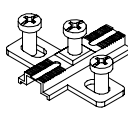
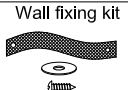
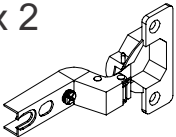


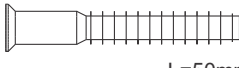
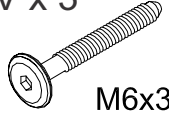
Imported by:  
Mikael Falk  
Pachthofstraat 41,  
B-3080 Tervuren



# PARTS LIST

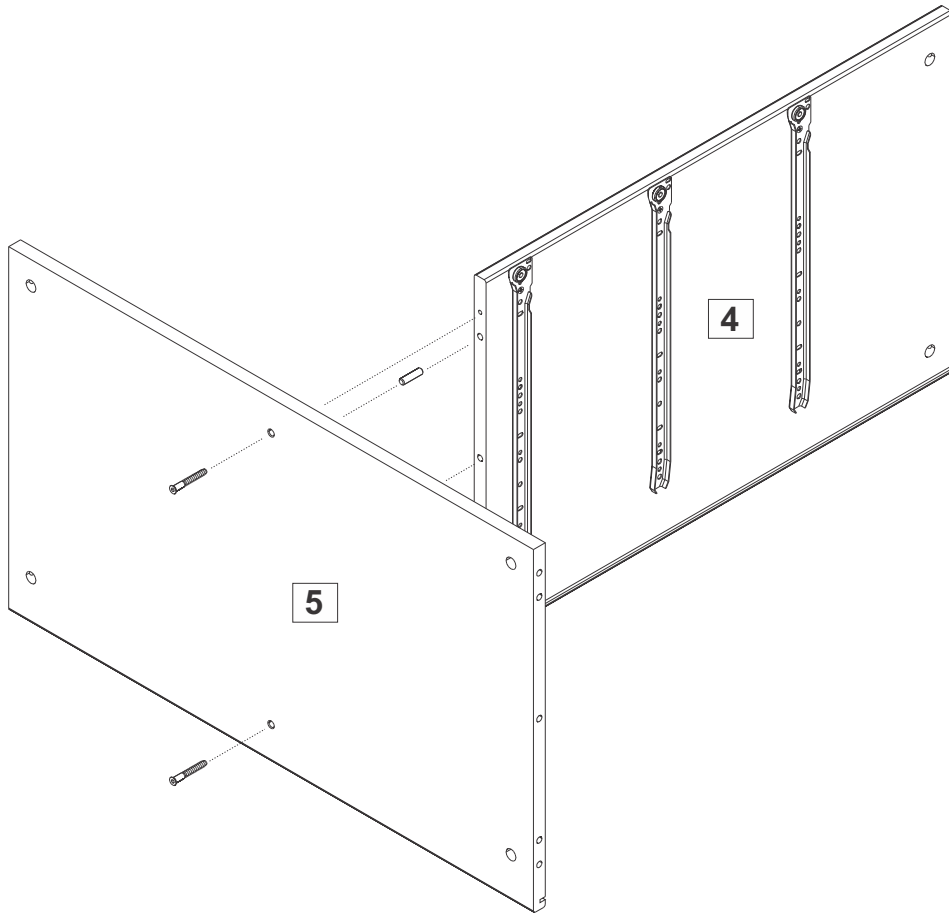


## FITTINGS

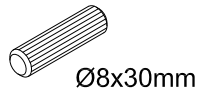
<p>A x 34</p>  <p>L=34mm</p>	<p>B x 34</p>  <p>Ø15mm</p>	<p>C x 56</p>  <p>Ø8x30mm</p>	<p>D x 4</p>  <p>L=40mm</p>	<p>R x 8</p>  <p>M4x32mm</p>
<p>E x 10</p> 	<p>K x 4</p> 	<p>G x 8</p> 	<p>M x 2</p> 	<p>S x 1</p>  <p>Wall fixing kit</p>
<p>N x 2</p> 	<p>O x 4</p>  <p>L=15mm</p>	<p>H x 1</p> 	<p>I x 2</p>  <p>L=50mm</p>	<p>V x 3</p>  <p>M6x30mm</p>

# ASSEMBLY

1



C x 3



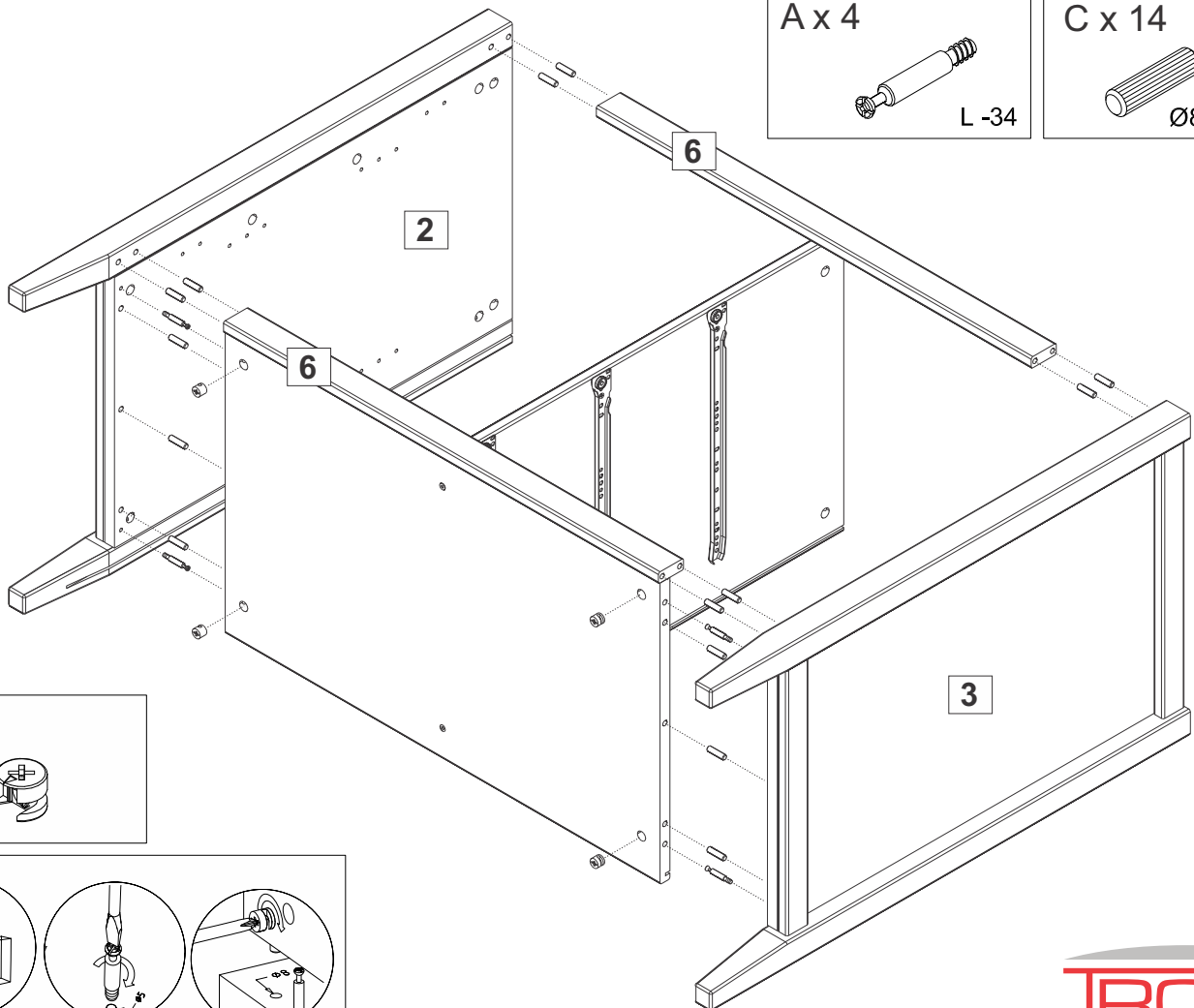
I x 2



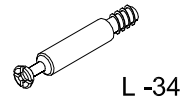
H x 1



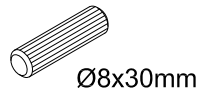
2



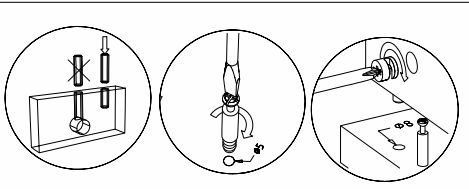
A x 4



C x 14



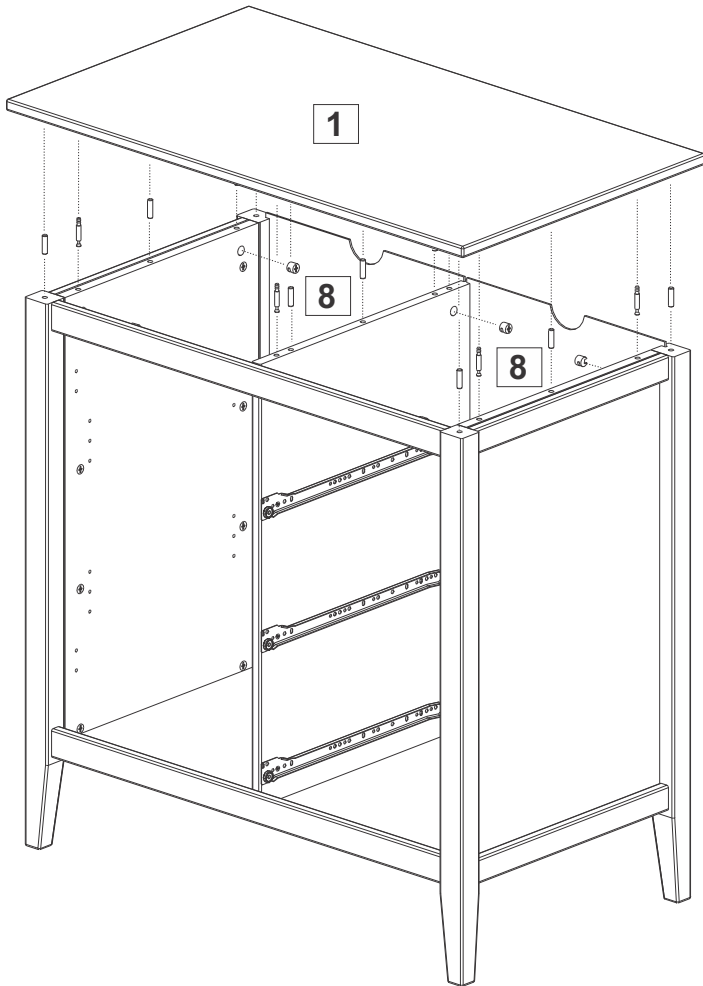
B x 4



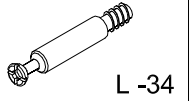
**TROLL**  
HURSKOV

# ASSEMBLY

3



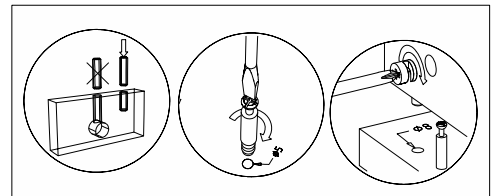
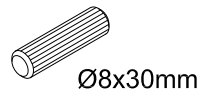
A x 6



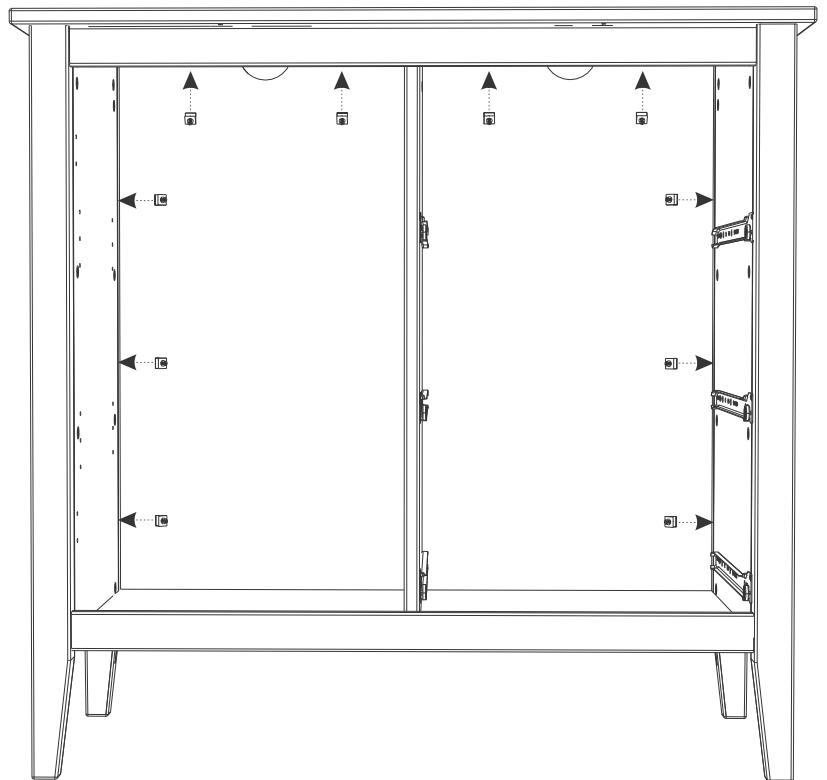
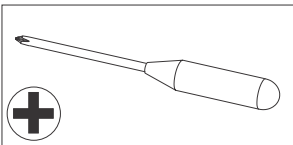
B x 6



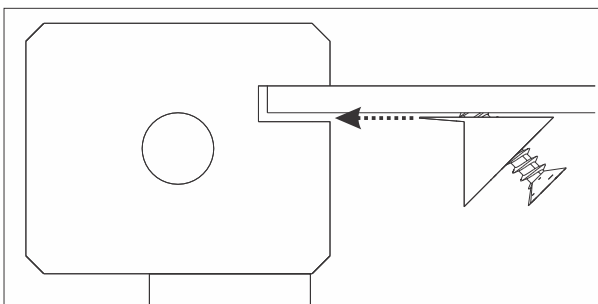
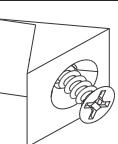
C x 9



4

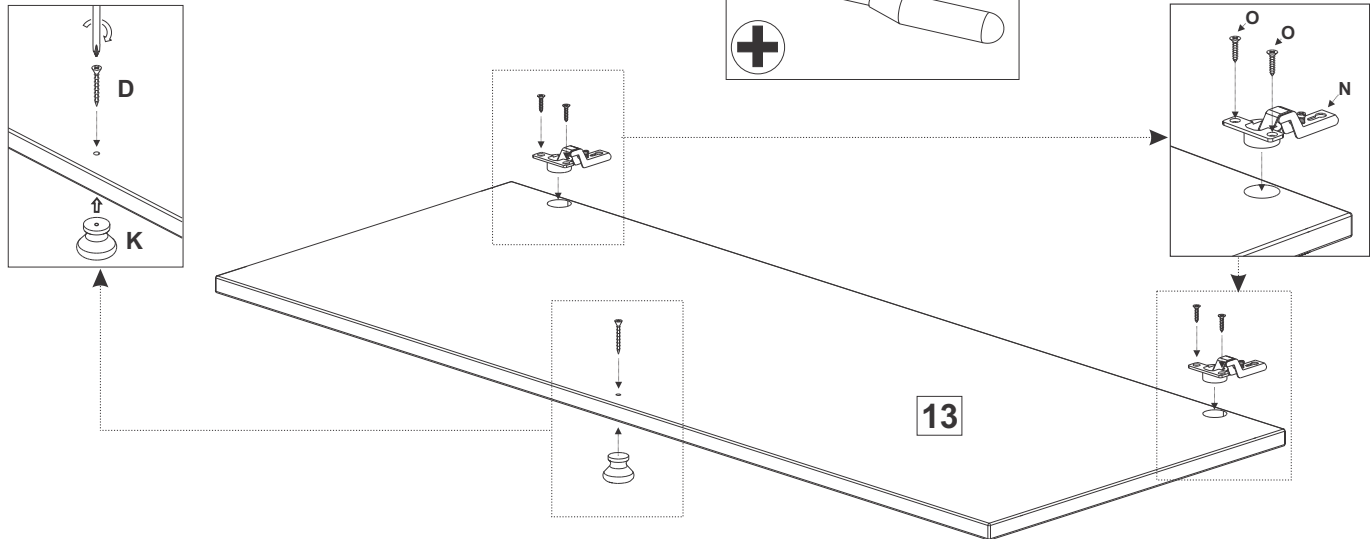


E x 10

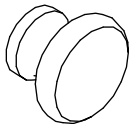


# ASSEMBLY

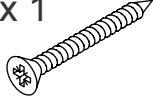
5



K x 1



D x 1



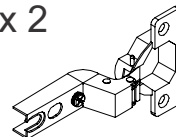
L=40mm

O x 4

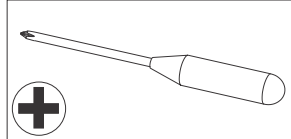
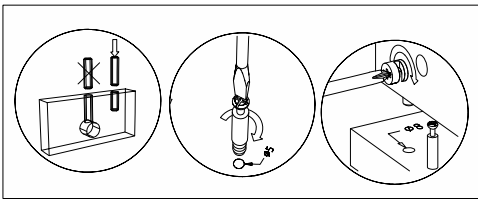


L=15mm

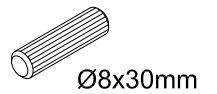
N x 2



6

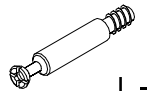


C x 24



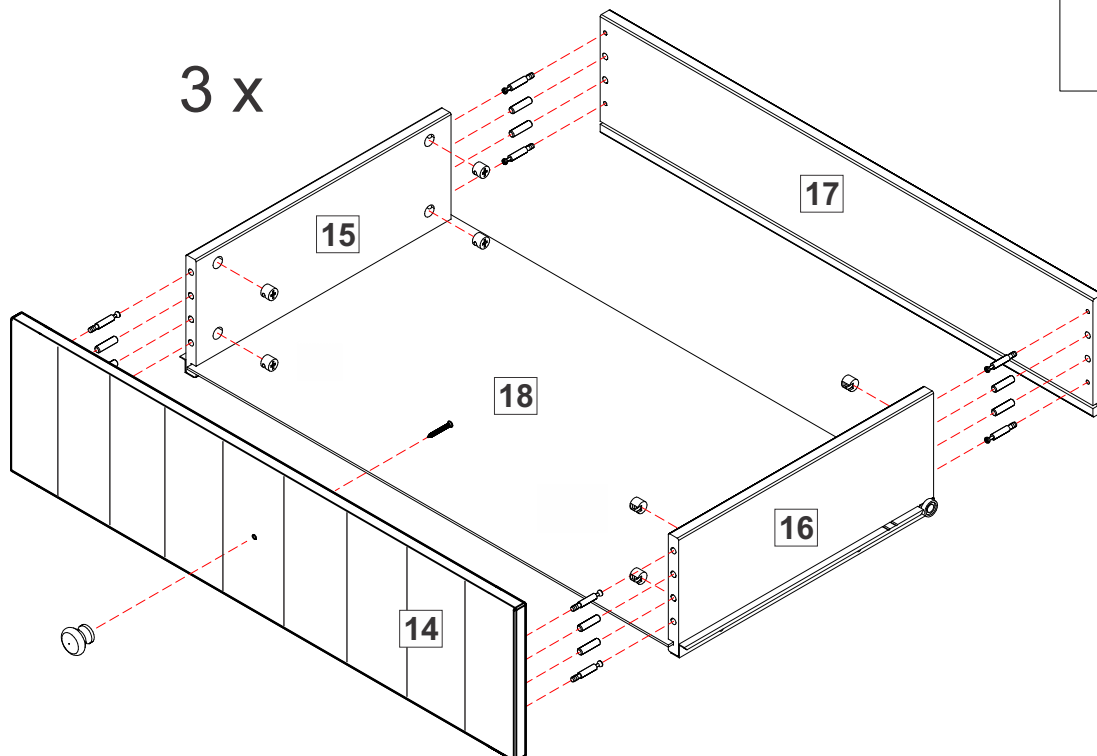
Ø8x30mm

A x 24

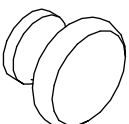


L=34

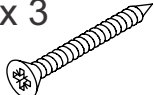
3 x



K x 3



D x 3



L=40mm

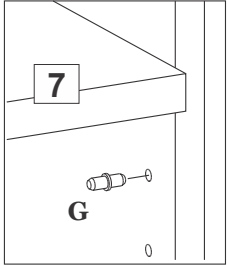
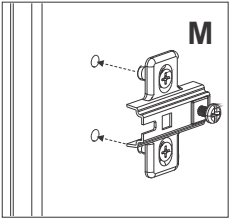
B x 24



TROLL NURSERY

# ASSEMBLY

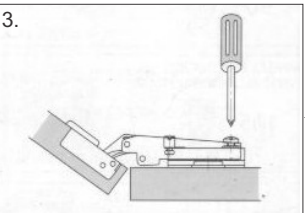
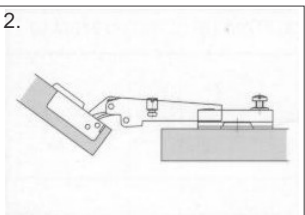
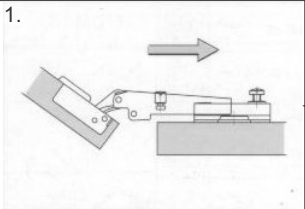
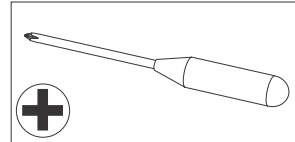
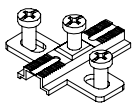
7



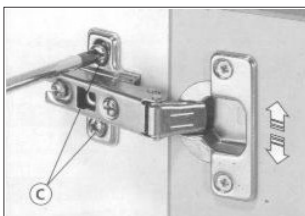
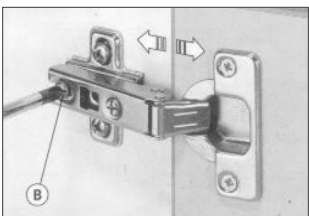
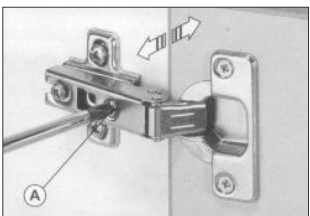
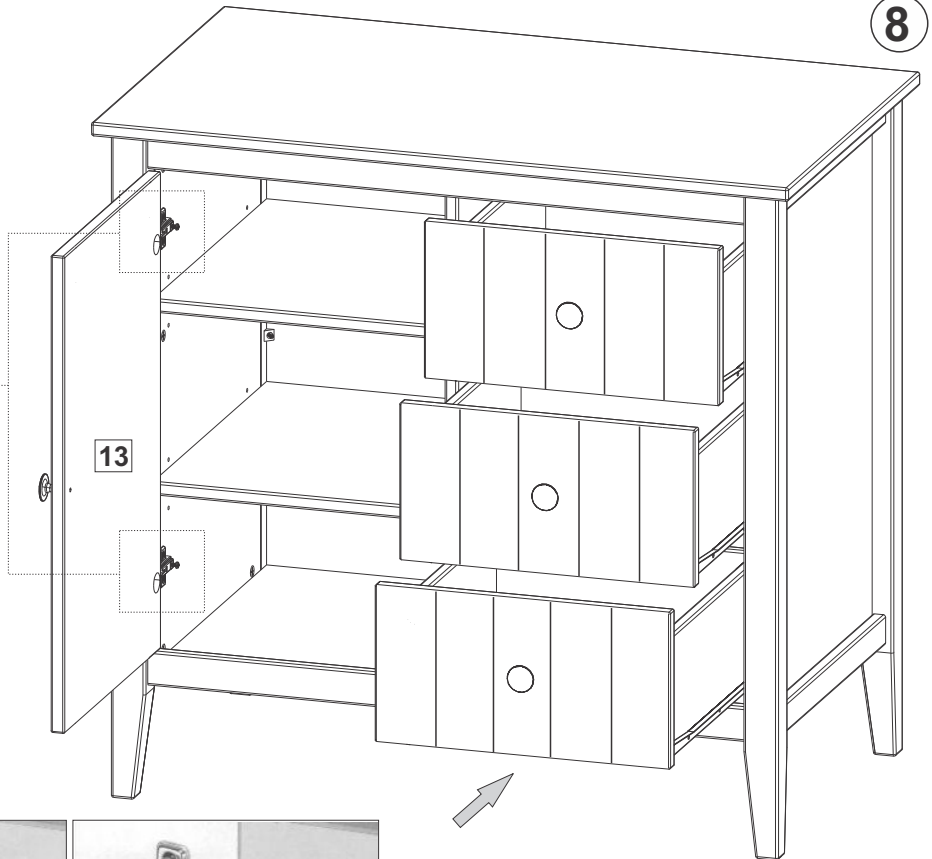
G x 8



M x 2



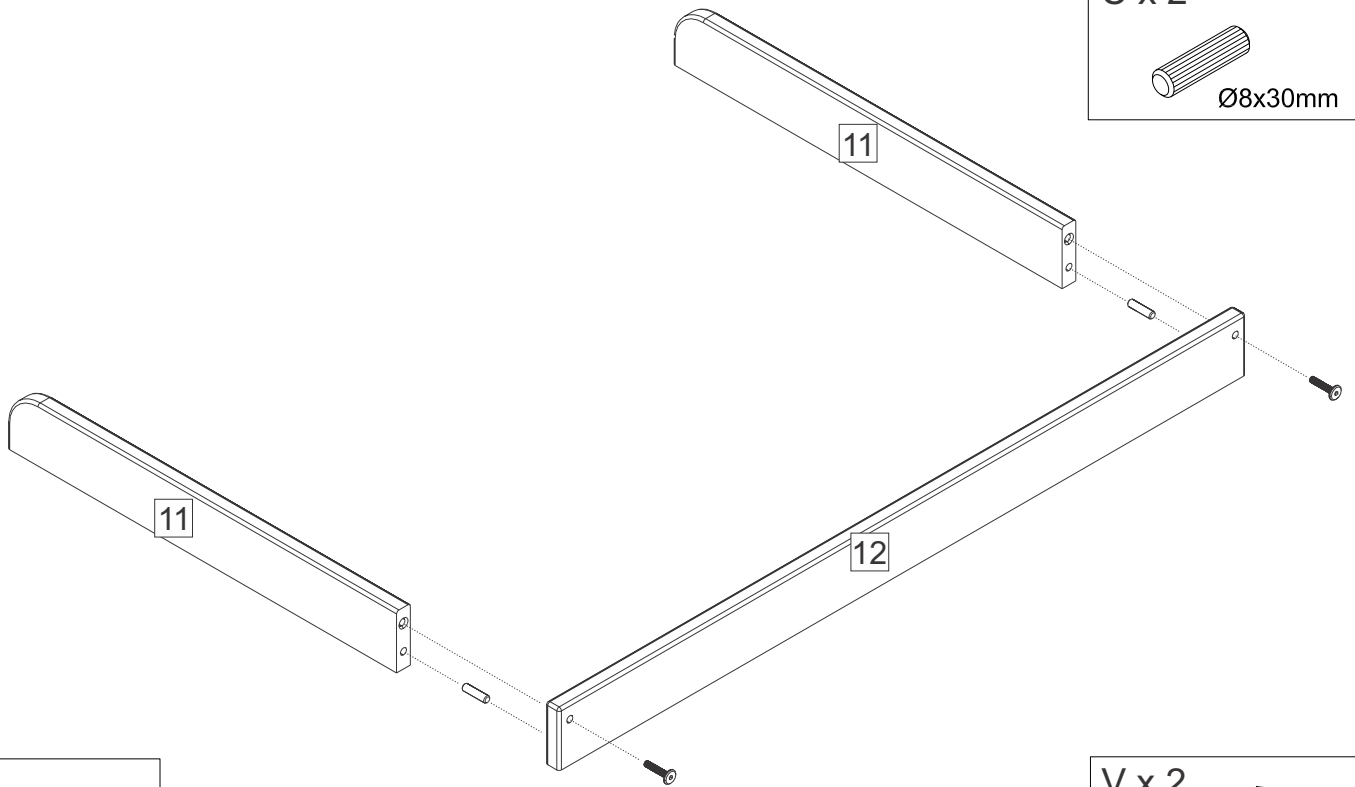
8



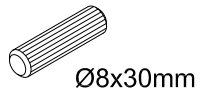
TROLL

# ASSEMBLY

8

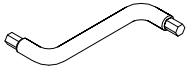


C x 2

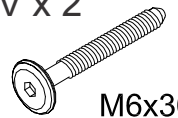


Ø8x30mm

H x 1

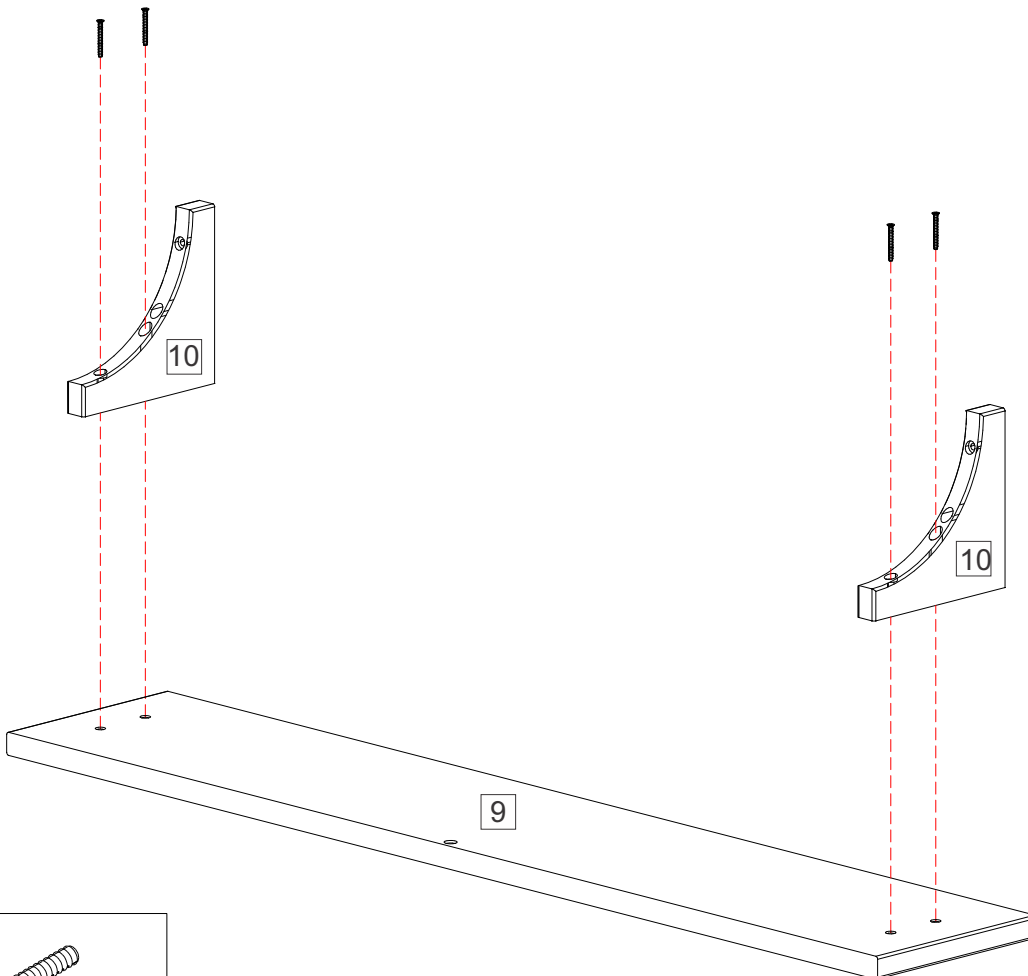


V x 2

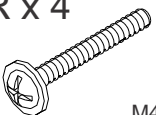


M6x30mm

9



R x 4



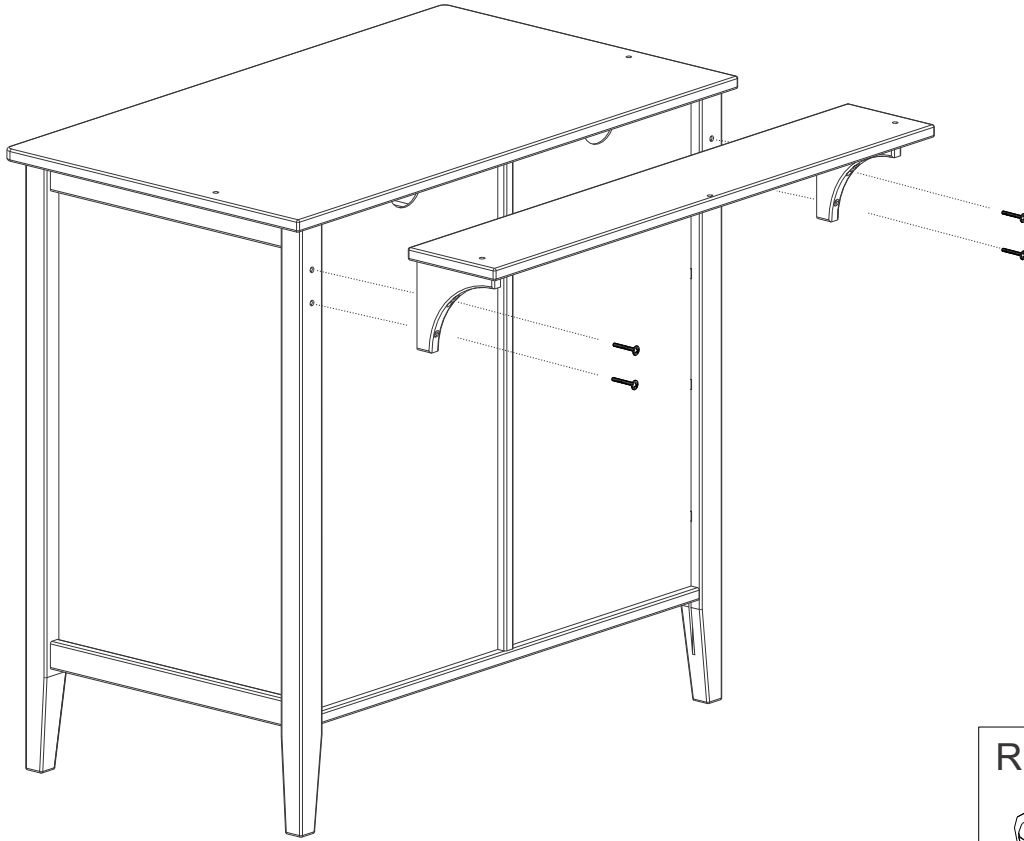
M4x32mm

TROLL<sup>®</sup>  
NURSGAV

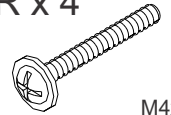


# ASSEMBLY

8

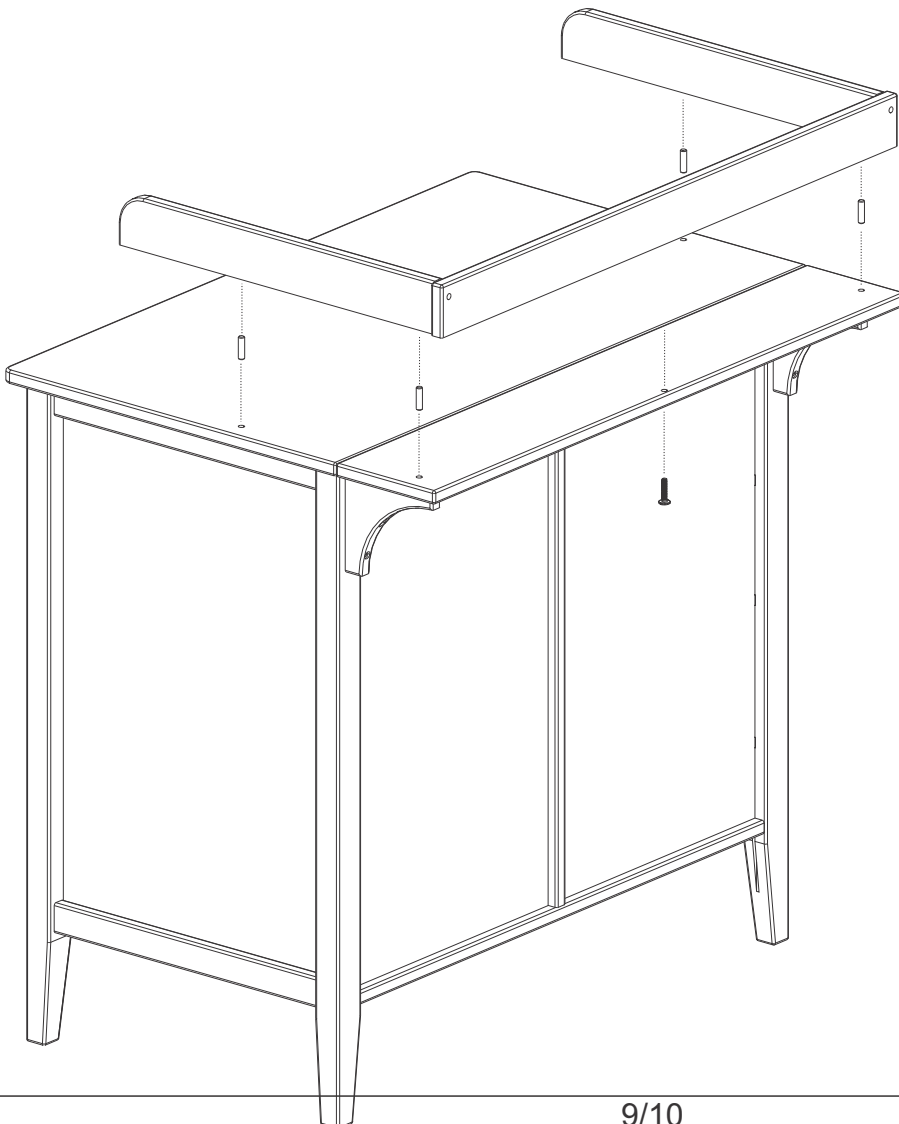


R x 4

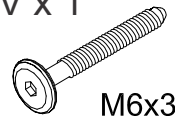


M4x32mm

9

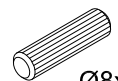


V x 1



M6x30mm

C x 4



Ø8x30mm

H x 1

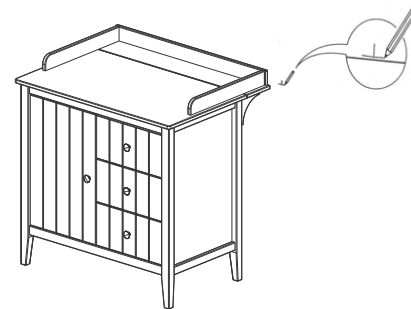


TROLL<sup>®</sup>  
NURSERY

**Instructies voor muurbevestiging**  
**Instructions pour ancrage mural**  
**WALL ATTACHMENT INSTRUCTIONS**

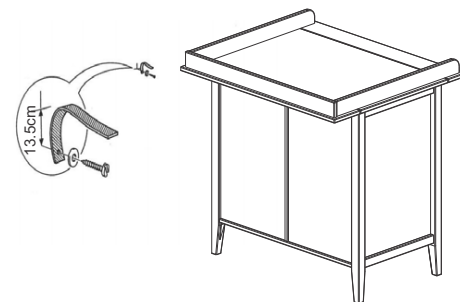
**1.**

- \* Plaats de kast waar ze zal komen te staan.  
Markeer op de muur waar het midden van het bovenblad komt.
- \* Placez le meuble à l'emplacement choisi.  
Marquez sur le mur l'endroit où viendra le centre de la tablette de l'armoire.
- \* First place in position. Mark position of centre top on wall.



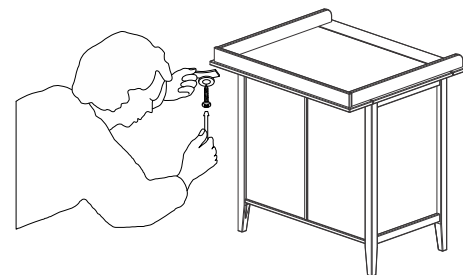
**2.**

- \* Monteer de bijgeleverde bevestigingsband op de wand zoals aangeduid.  
Controleer of de wand geschikt is om er het meubel aan te bevestigen.  
Gebruik schroeven en toebehoren die geschikt zijn voor het type wand.
- \* Apposez la bande d'ancrage au mur tel indiqué.  
Contrôlez si le mur ne pose pas problème pour l'apposition du meuble.  
Utilisez des vis et des accessoires appropriés au type de mur.
- \* Attach fixing strap supplied to position on wall as shown.  
Ensure correct screws and fittings as appropriate to the type of wall are used. Check the wall is suitable for attaching this furniture.



**3.**

- \* Monteer de bijgeleverde bevestigingsband aan de onderkant van het meubelblad met de houtvijls en het ringetje.
- \* Montez la bande d'ancrage fournie au dessous de la tablette de l'armoire au moyen de la vis à bois et de la rondelle.
- \* Using the wood screw and washer supplied attach fixing strap to the underside of top panel.



**Waarschuwing**

Controleer of de bevestigingsband aan beide uiteinden stevig vastgemaakt is, dit om te vermijden dat het meubelstuk voorover zou vallen. De montage en muurbevestiging moeten door een bekwaam persoon uitgevoerd worden. Een gebrekkige installatie houdt gevaar in. Controleer of de wand geschikt is om er het meubel aan te bevestigen en weerstand genoeg kan bieden mocht het meubel voorover vallen.

**Avertissement**

Contrôlez si la bande d'ancrage est solidement amarrée aux deux extrémités, ceci afin d'éviter que le meuble ne se renverse. Afin d'éviter tout danger, la fixation et l'ancrage doivent être exécutés par une personne compétente. Contrôlez si le mur ne pose pas problème pour l'apposition du meuble et sera suffisamment résistant au cas où le meuble se renverserait.

**Warning:**

Ensure strap is attached securely at both ends to avoid danger of furniture tipping forwards. This installation should only be carried out by a competent person. Incorrect installation could present a danger. Check the wall is suitable for attachment and will withstand the forces generated by furniture tipping forward.