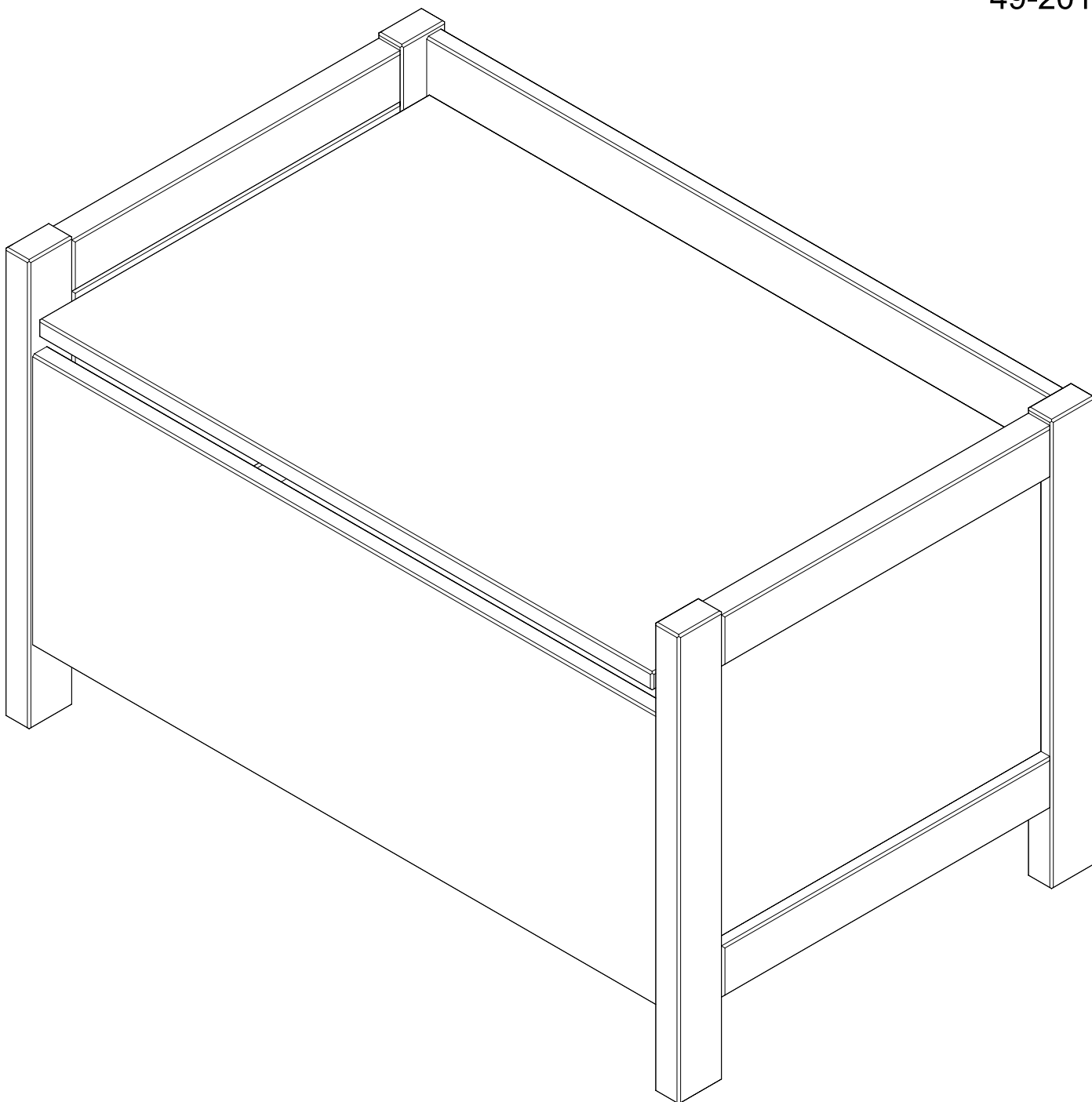


---

## LOFT TOYBOX

---

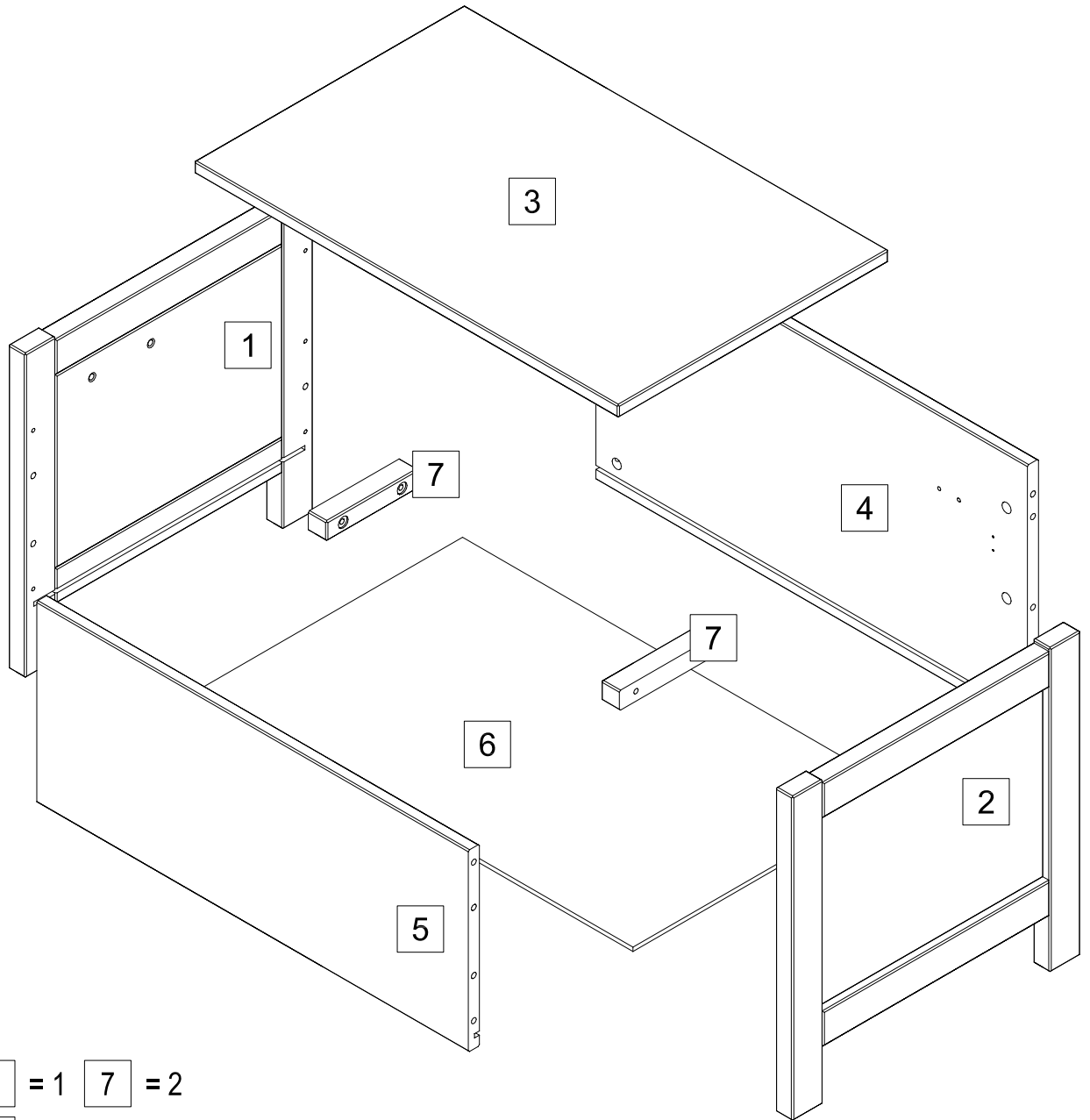
49-2011



---

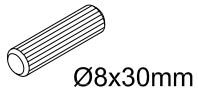
Imported by:  
Mikael Falk  
PACHTHOFSTRAAT 41,  
B-3080 Tervuren

# PARTS LIST



- |       |       |       |
|-------|-------|-------|
| 1 = 1 | 4 = 1 | 7 = 2 |
| 2 = 1 | 5 = 1 |       |
| 3 = 1 | 6 = 1 |       |

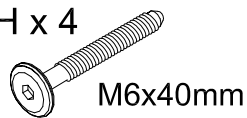
A x 8



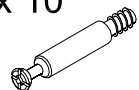
E x 1



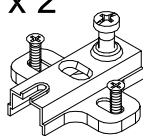
H x 4



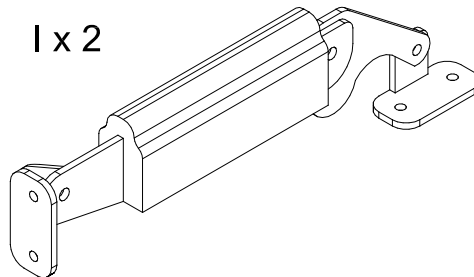
B x 10



F x 2



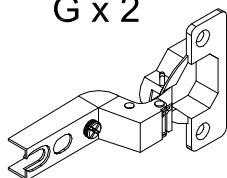
I x 2



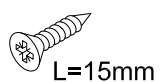
C x 10



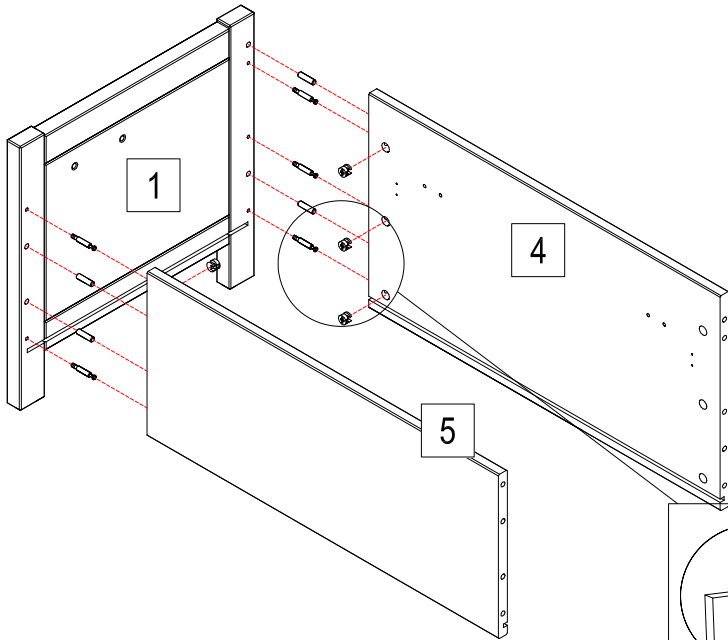
G x 2



D x 12

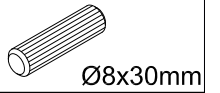


# ASSEMBLY



1

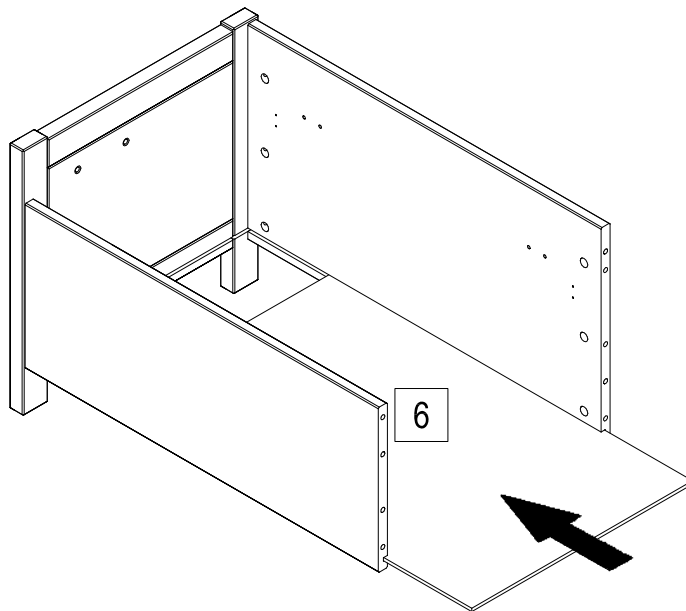
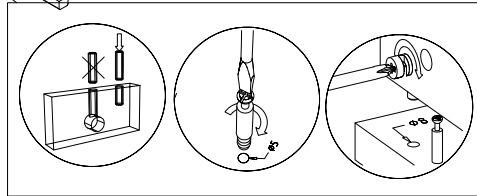
A x 4



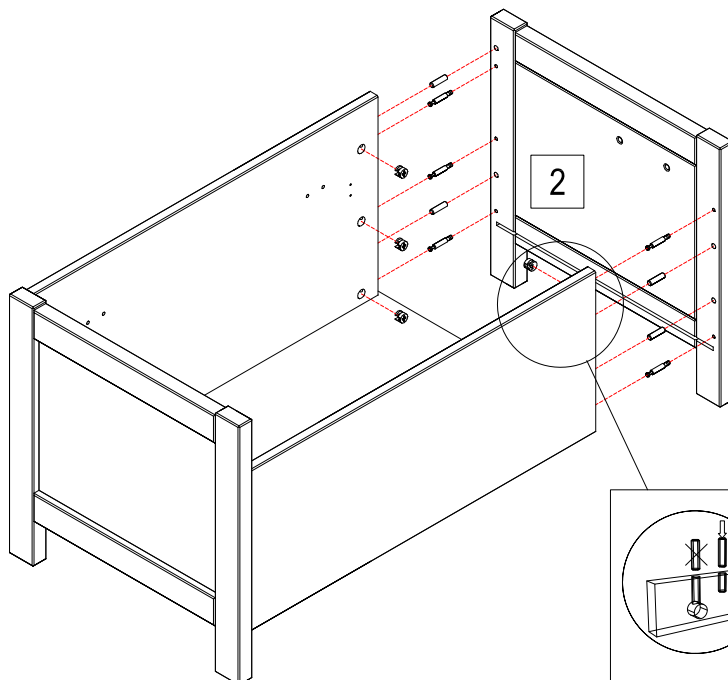
B x 5



C x 5

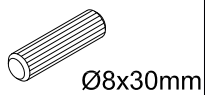


2

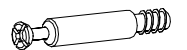


3

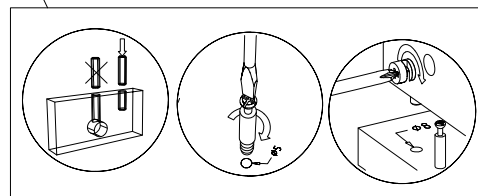
A x 4



B x 5



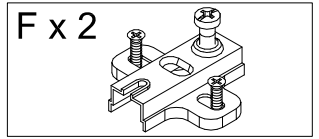
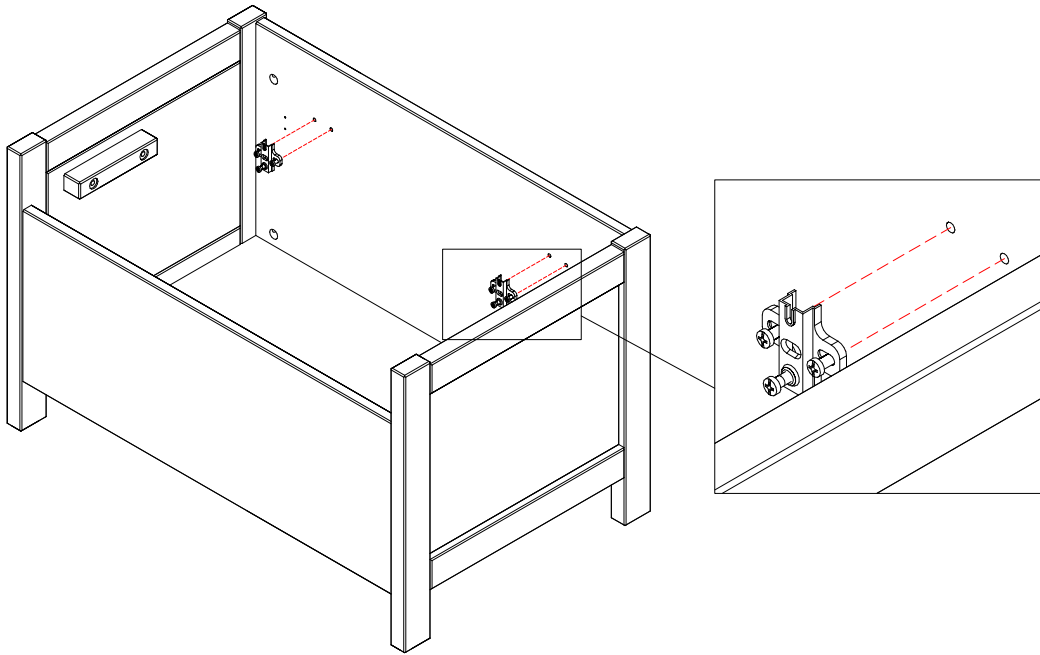
C x 5



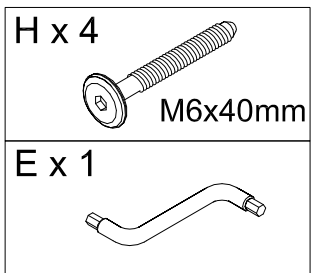
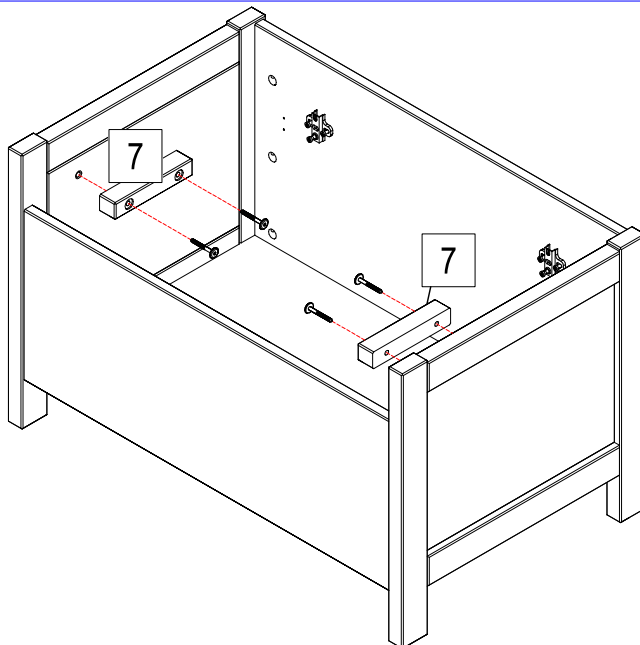
**TROLL** NURSEWAY<sup>®</sup>

# ASSEMBLY

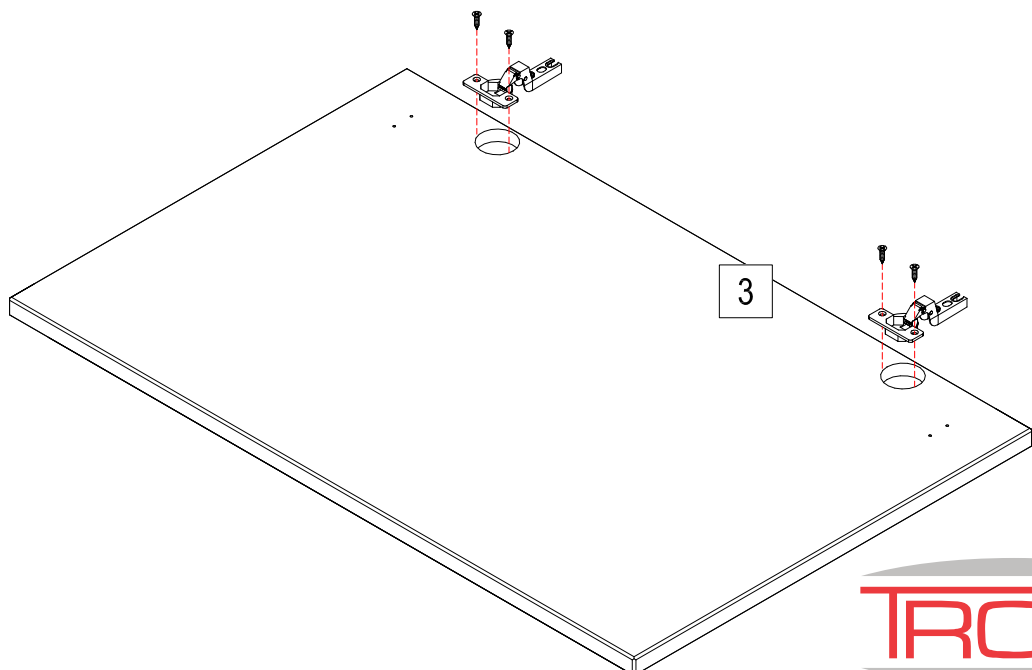
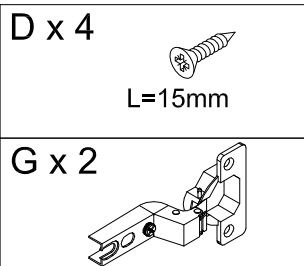
4



5

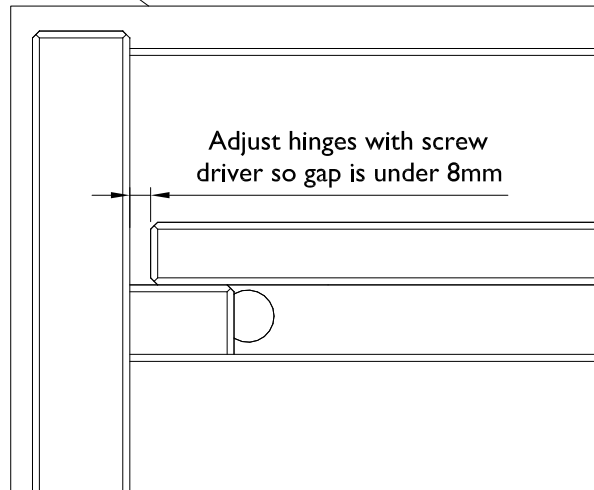
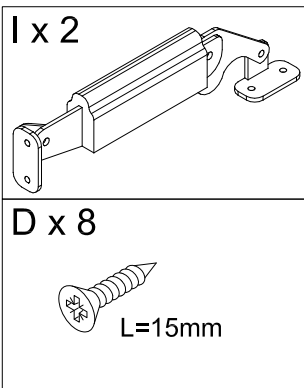
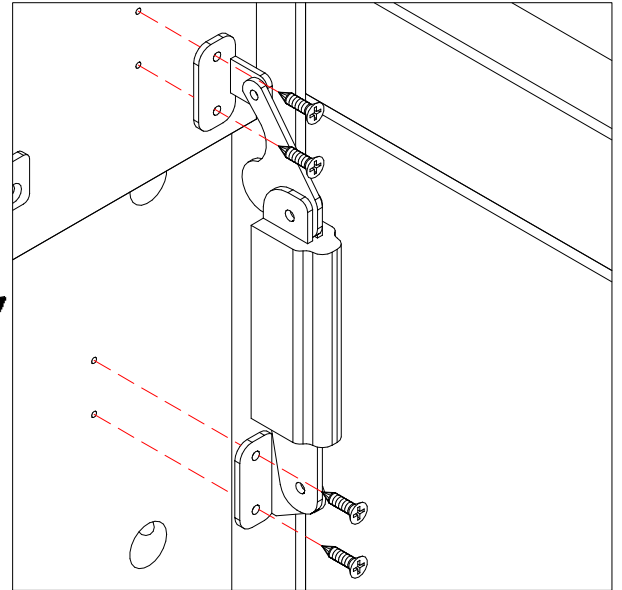
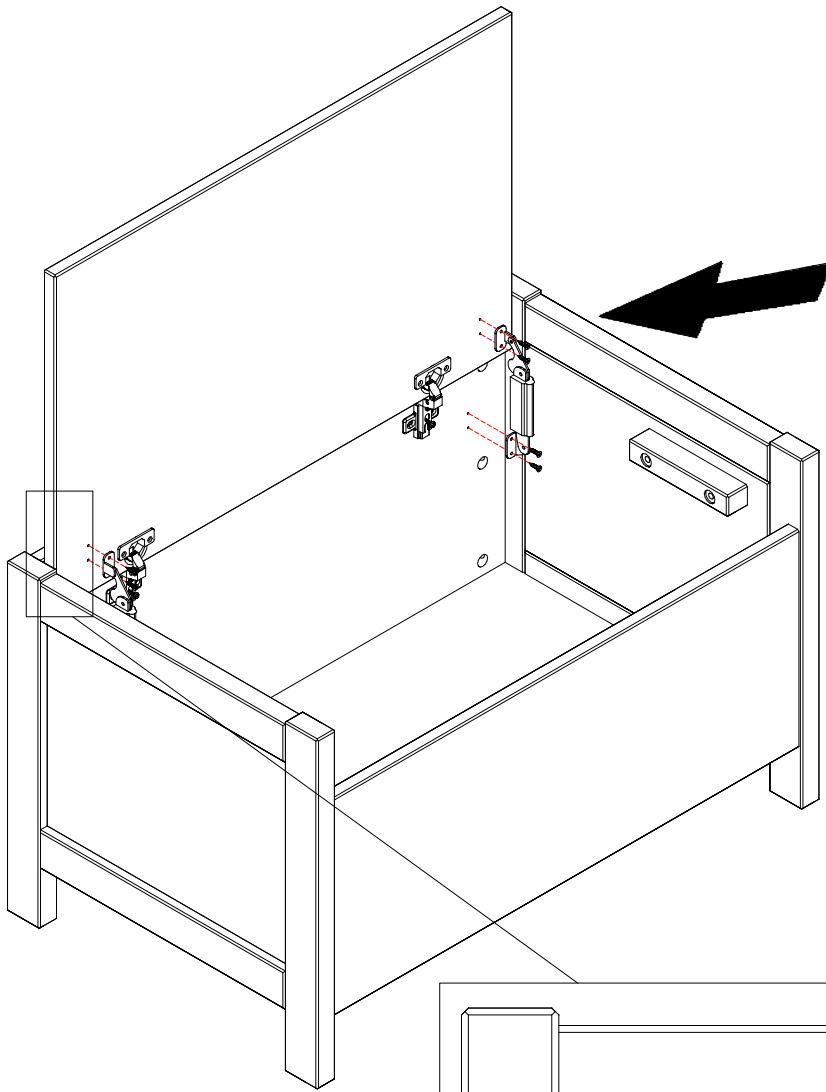


6



# ASSEMBLY

7



## BEFORE YOU START

Remove all parts from packaging and check against the parts list.

Do not discard any packaging until you are sure you have all parts and the pack of fittings.

## SAFETY INSTRUCTION

Warning: Do not leave the child unattended

Furniture can be dangerous if incorrectly installed. Assembly should be carried out by a competent person.

Periodically check all fixings to ensure none have come loose and that there is no risk of clothing or parts of the body becoming snagged or trapped.

Keep children clear during assembly as pack contains small parts which may present a choking hazard.

Do not allow your child to climb on this furniture.

Be aware of the risks of open fires and other such sources of strong heat, such as electric bar fires, gas fires, etc in the vicinity of the dresser.

Any additional or replacement parts shall only be obtained from the manufacturer or distributor.

Do not use this toy box if any part is broken, torn or missing.

**Conforms to EN 14749:2005**

## CARE AND MAINTENANCE INSTRUCTIONS

Your furniture may be cleaned by wiping with a damp cloth and drying with a soft clean cloth.

Do not use abrasives, bleach, alcohol or ammonia-based household polishes.

Take care when handling or moving the furniture. Careless handling may cause damage.

## CUSTOMER ENQUIRIES

Imported by:  
Mikael Falk  
PACHTHOFSTRAAT 41,  
B-3080 Tervuren.

