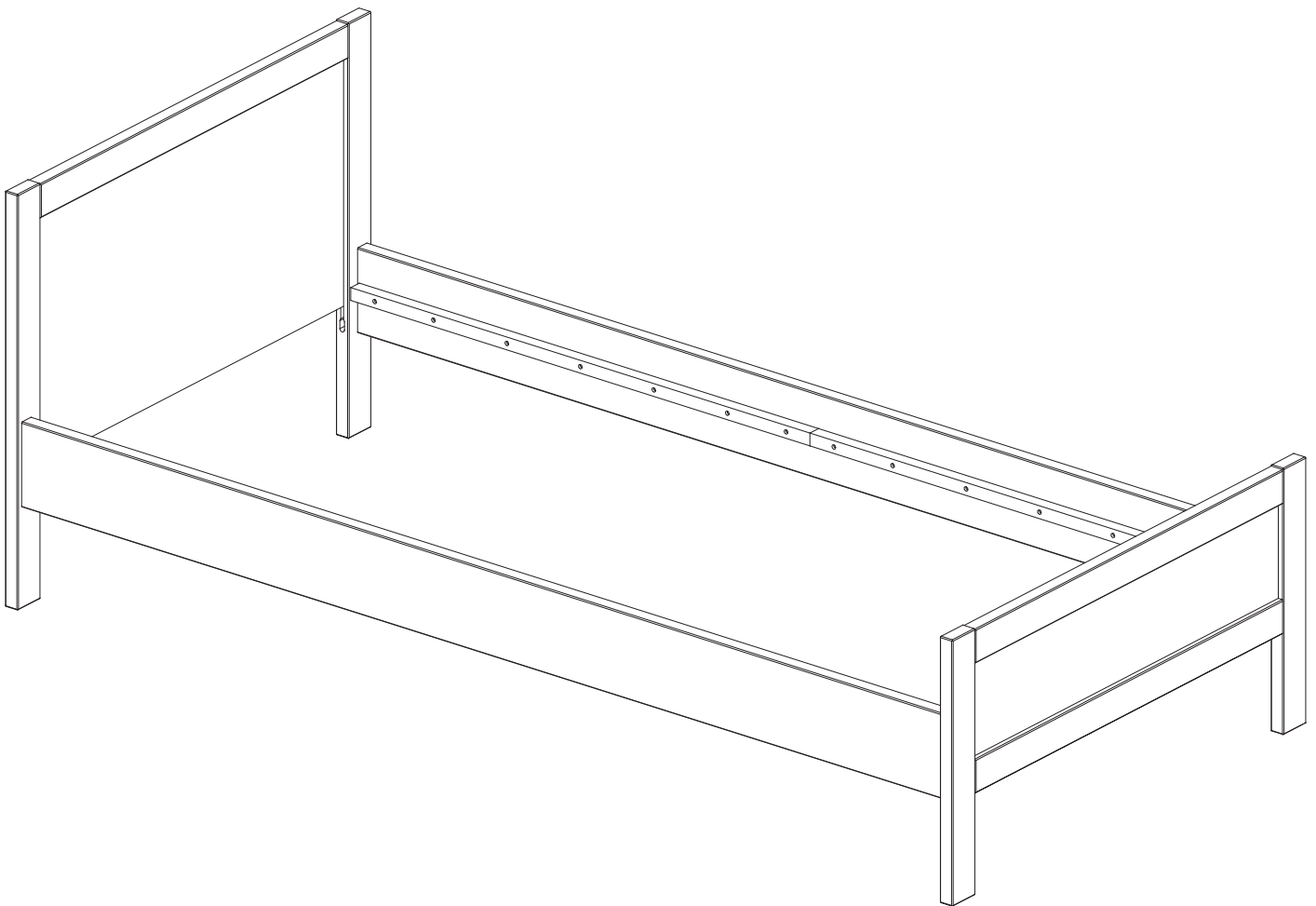




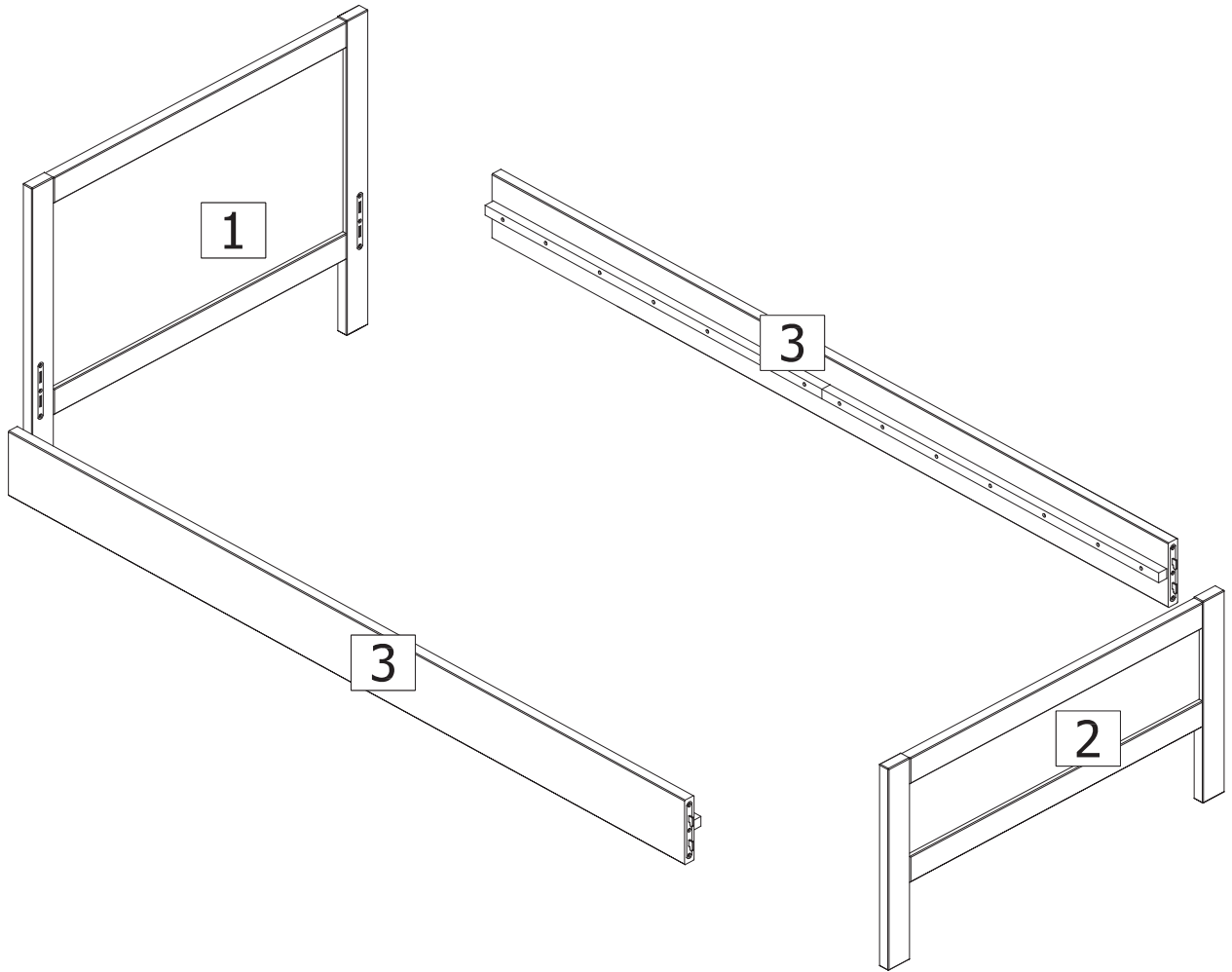
LOFT SINGLE BED

45-2011



Imported by
Mikael Falk
Pachthofstraat 41,
B-3080 Tervuren

PARTS LIST

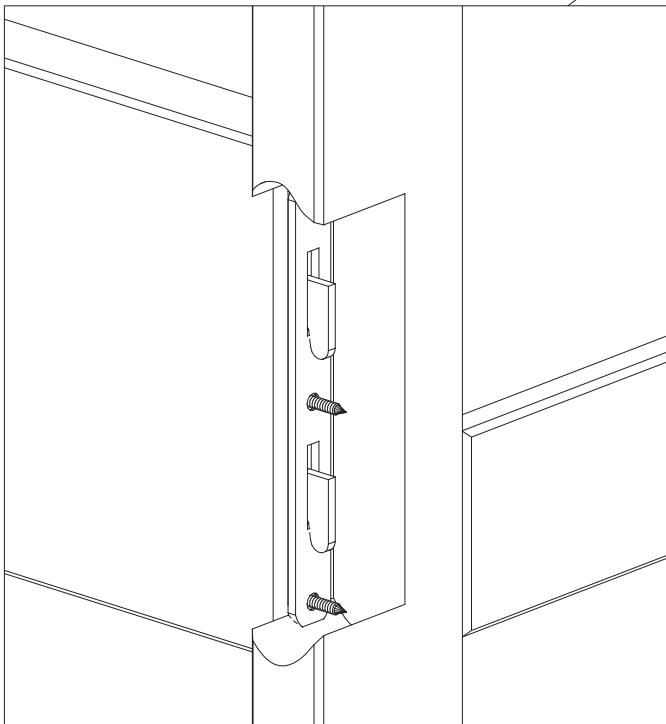
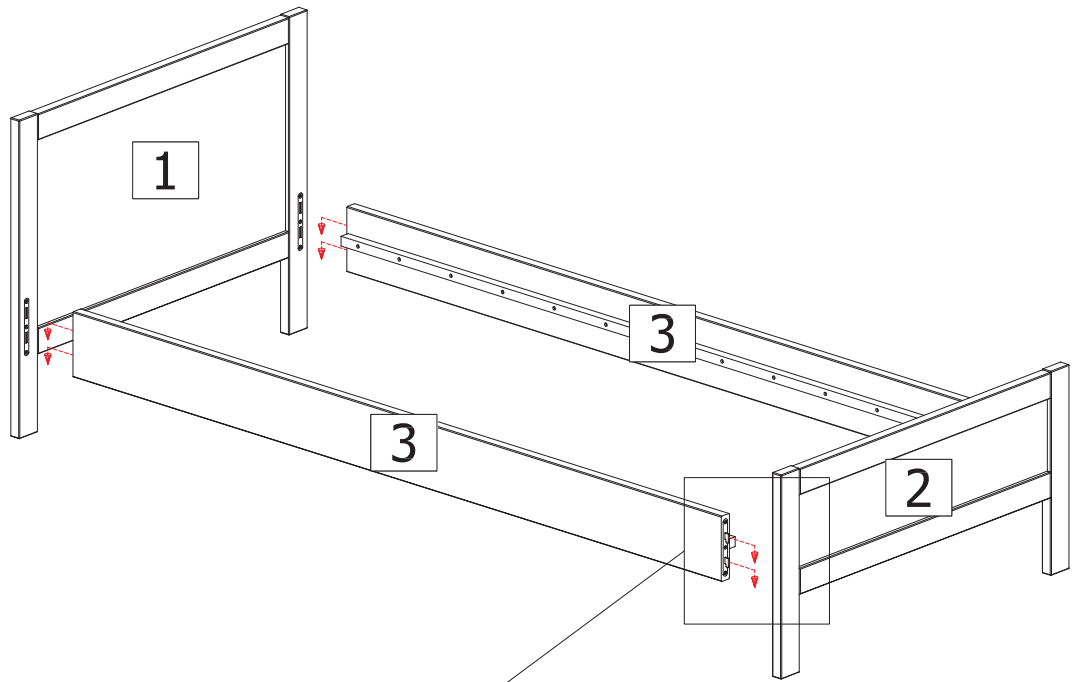


1 =1 **3** =2

2 =1



ASSEMBLY



BEFORE YOU START

Remove all parts from packaging and check against the parts list.

Do not discard any packaging until you are sure you have all parts and the pack of fittings.

SAFETY INSTRUCTION

Ensure that screws, packaging etc are discarded safely and kept away from children.

Keep children at a safe distance when assembling.

Do not use if any part is broken or missing. Do not use on an uneven surface.

Ensure that the furniture is kept away from strong heat sources such as an electrical bar, gas and open fires.

Care should be taken that no screws or other fittings are loose so your child can trap parts of the body or clothing.

Check regularly to ensure that all the components are secure.

Do not use if any part is broken.

Store in a dry ventilated place when not in use.

Only parts supplied by Troll Nursery should be used.

The correct use and maintenance of your furniture will ensure it gives long and without trouble use.

When somebody is using your furniture, ensure they also know how to use it.

The safety of your child is your responsibility.

CARE AND MAINTANCE INSTRUCTIONS

Your furniture may be cleaned by wiping with a damp cloth and drying with a soft clean cloth.

Do not use abrasives, bleach, alcohol or ammonia-based household polishes.

Take care when handling or moving the furniture. Careless handling may cause damage.

